



3-4 YEARS | WEEK 62

Maths-Counting & Skip counting

1. Colouring

11. Count and Colour

2. Match the pair

12. Skip Counters

3. Fill in the blanks

13. Count and Colour

4. Fill in the blanks

14. Missing Numbers

5. Colouring

15. Counting

6. Maze

16. Missing Numbers

7. Missing numbers

17. Tracing

8. Counting

18. Number line

9. Revers Counting

19. Number line

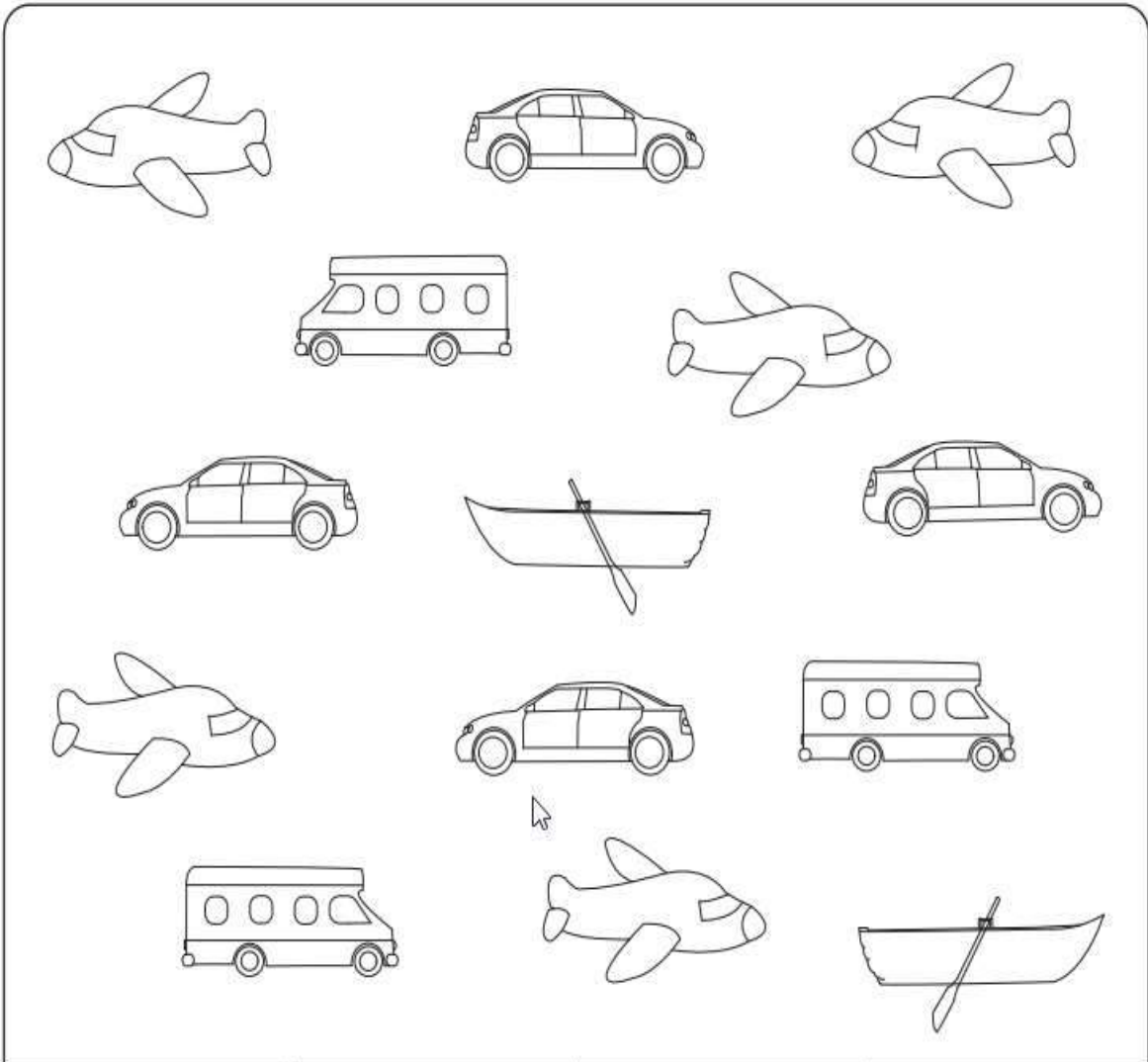
10. Missing numbers

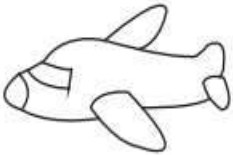

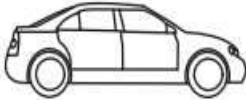
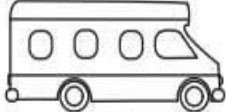
20. Maze

Counting and Skip Counting : Colouring



Colour the given shapes. Count and write number in given boxes

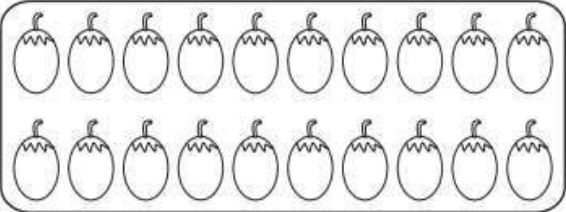


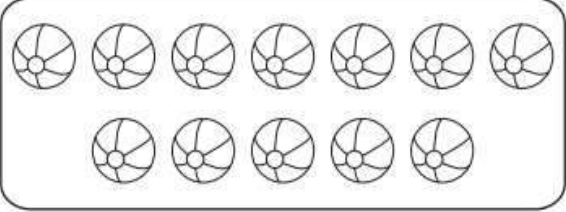
			

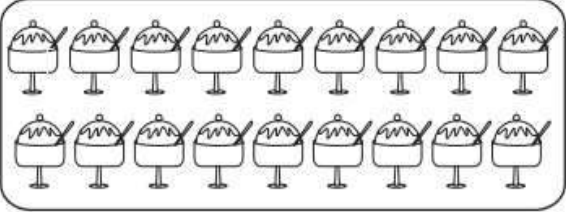
Counting and Skip Counting : Match the pair

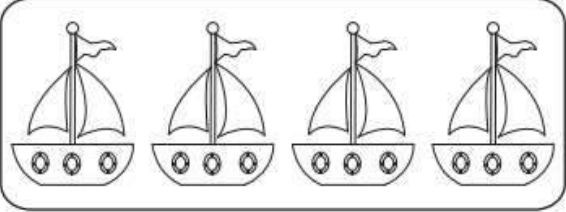


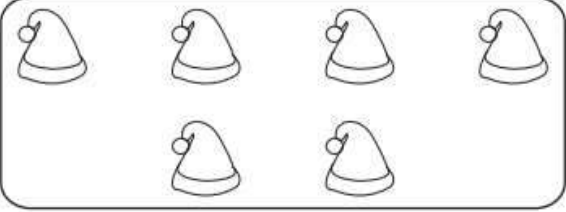
Count and match with the correct number

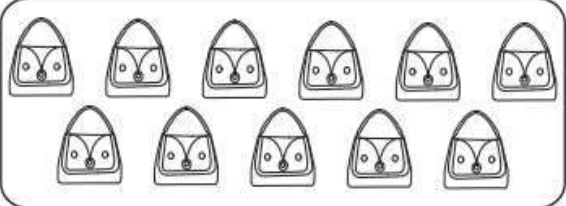
1)  • •

2)  • •

3)  • •

4)  • •

5)  • •

6)  • •

Answer key: 1)-20, 2)-12, 3)-18, 4)-4, 5)-6 and 6)-11

Counting and Skip Counting : Fill in the blanks



Count on by 2s to fill in the gaps

2		6		10		14	
---	--	---	--	----	--	----	--

	12		16		20		24
--	----	--	----	--	----	--	----

30		34		38		42	
----	--	----	--	----	--	----	--

	42		46		50		54
--	----	--	----	--	----	--	----

20		24		28		32	
----	--	----	--	----	--	----	--

Access 12,000+ expert-designed worksheets

Subscribe Now!

[Explore All Math Worksheets](#)